

BOBCAT COMPANY PRICE PAGES NA UTILITY VEHICLES - ATTACHMENTS



Please note the following when using Bobcat Price Pages:

- All prices are shown in U.S. dollars.
- Check BobcatNET Pricing Homepage for current Canadian exchange rate.
- For current Dealer Installed Accessories pricing, reference BobQuote or Dealer Parts Department.
- Prices and specifications are subject to change without notice.

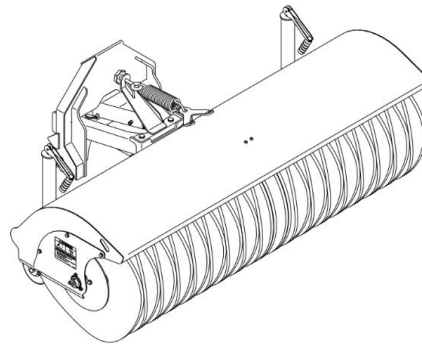
THE FOLLOWING UPDATES HAVE BEEN MADE TO THIS DOCUMENT:

Date	Description of Change
10/18/10	Added MY11 Vehicles
08/15/11	Added Hydraulic Kit for 3450 Snowblade
10/28/11	Discontinued whisker push broom and 60" mower attachments
3/18/13	Added 3600 and 3650 attachments. Removed Whisker Push Broom and 60" Mower attachments.
07/11/14	Added Grapple Attachment
01/01/15	Effective Thursday, January 1 st , 2015 Bobcat Company has adjusted the SLP of select options and power units.
03/23/15	Added Spreader Attachment
07/01/15	Effective Wednesday July 1 st 2015, Bobcat Company has adjusted the SLP of select attachment options.
08/27/15	Replaced PN 7204960 with new PN 7273713 for the UTV 62" Snowblower
10/15/2015	Added 3400 and 3450 as approved carriers for 60 gallon sprayer
11/18/2015	Added UTV Landplane
12/2/15	Removed 40 Gallon Sprayer PN: 7139668
2/12/16	Added MY15 and higher to Spreader description
3/15/16	Removed 60 Gallon Sprayer PN: 7222447
7/1/16	Effective Friday, July 1 st 2016, Bobcat Company has adjusted the SLP of select attachment options.
11/7/16	Added UTV Snow V-Blade and UTV Attachment Control Kit
7/10/17	Effective Monday, July 10 st 2017, Bobcat Company has adjusted the SLP of select attachment options.
01/01/18	Effective Thursday, January 1 st , 2018 Bobcat Company has adjusted the SLP of select options and power units.

****Specification(s) are based on engineering calculations and are not actual measurements. Specification(s) are provided for comparison purposes only and are subject to change without notice. Specification(s) for your individual Bobcat equipment will vary based on normal variations in design, manufacturing, operating conditions, and other factors.***

ANGLE BROOM

BOBCAT UTILITY VEHICLE ATTACHMENTS



QUICK SPECS

Operating Weight	471 lb.
Working Width (Straight)	70 in.
Working Width (Fully Angled)	65.5 in.
Overall Width	73.9 in.
Length	44.9 in.
Height	28.4 in.
Angle	±25°
Pitch Forward	9°
Pitch Aft	5°
Oscillation	±10°
Bristle Speed w/2000 RPM PTO	1257 fpm
Number of Bristle Sections	32 Convoluted 4 Conical
Bristle Diameter	24"

PART NUMBER	ATTACHMENT DESCRIPTION	SLP IN US \$
-------------	------------------------	--------------

(3650) 7223575	ANGLE BROOM, 70" (Includes PTO – Category 1 Driveline, shear bolt drive protection, replaceable wafer bristles and adjustable wheels) (Must also order PN: 7025121 Auxiliary Relief Valves to be installed on 3650)	\$5,154.00
--------------------------	--	-------------------

PART NUMBER	DEALER INSTALLED ACCESSORIES - ORDER FROM PARTS DESCRIPTION
-------------	---

For current Dealer Installed Accessories pricing, reference BobQuote or Dealer Parts Department.

7222284	DEFLECTOR KIT, 70"	PARTS \$ ____
7025121	AUXILIARY RELIEF VALVES	PARTS \$ ____
(Includes two relief valves for solenoid. Required for snow blade, V-blade, angle broom and grapple)		

DESTINATION CHARGE

Refer to BobQuote or BobcatNET>>Other Resources>>Pricing Homepage for current Destination and Fuel Charges.

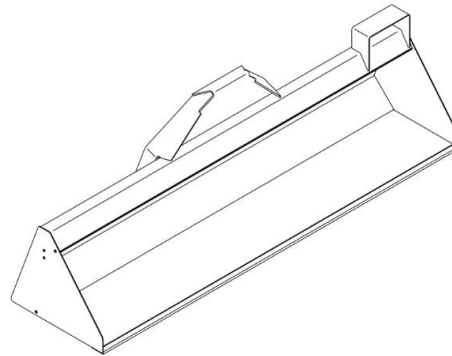
ANGLE BROOM

BOBCAT UTILITY VEHICLE ATTACHMENTS

ATTACHMENT	ASSEMBLY REQUIRED	INSTALLATION TIME (HRS.)
Angle Broom Deflector Kit	Install Deflector Kit	0.50
Angle Broom/UTV	Install auxiliary relief valves on 3650.....	0.50

BUCKET

BOBCAT UTILITY VEHICLE ATTACHMENTS



Bucket - 3650

PART NUMBER	DESCRIPTION	ATTACHMENT	HEAPED CAPACITY (FT ³)	OPERATING WEIGHT	US SLP \$
(3650) 7204758	BUCKET, 62" (Has a ROC of 500 lbs and an ISO Heaped Capacity of 4.7 ft ³)		4.7	115	\$618.00
(3450, 2300) 7120326	BUCKET, 60" (Has a ROC of 400 lbs and SAE Heaped Capacity of 5.8 ft ³)		5.8	104	\$842.00

PART NUMBER	DEALER INSTALLED ACCESSORIES - ORDER FROM PARTS DESCRIPTION
-------------	---

For current Dealer Installed Accessories pricing, reference BobQuote or Dealer Parts Department.

6673609	MARKER ROD KIT – 3650	PARTS	\$ _____
---------	-----------------------------	-------	----------

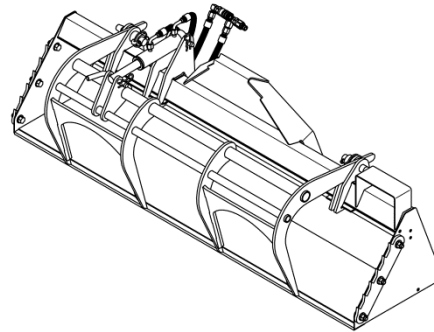
DESTINATION CHARGE
Refer to BobQuote or BobcatNET>>Other Resources>>Pricing Homepage for current Destination and Fuel Charges.

ATTACHMENT	ASSEMBLY REQUIRED	INSTALLATION TIME (HRS.)
------------	-------------------	--------------------------

Bucket	None.....	-
Marker Rod Kit	Install marker rod on Bucket	0.25

GRAPPLE

BOBCAT UTILITY VEHICLE ATTACHMENTS



QUICK SPECS

Overall Width:	42.5 in. (1080 mm)
Overall Depth of Grapple:	23.5 in. (567 mm)
Closed Height of Grapple:	19.0 in. (483 mm)
Max Opening of Grapple:	20.4 in. (518 mm)
Weight With Bucket:	199 lb.
Grapple Width:	42.5 in. (1080 mm)
Open height of Grapple:	28.9 in. (734 mm)

PART NUMBER	ATTACHMENT DESCRIPTION	US SLP \$
(3650) 7254422	GRAPPLE (Grapple comes with cylinder and grapple teeth to be assembled onto the 62" UTV Bucket.) (Must order 62" UTV Bucket PN: 7204758) (Must order PN 7025121 auxiliary relief valves and install on 3650)	\$752.00

PART NUMBER	DEALER INSTALLED ACCESSORIES - ORDER FROM PARTS DESCRIPTION	PARTS \$
7025121	AUXILIARY RELIEF VALVES (Includes two relief valves for solenoid. Required for snow blade, V-Blade, angle broom and grapple)	\$ _____

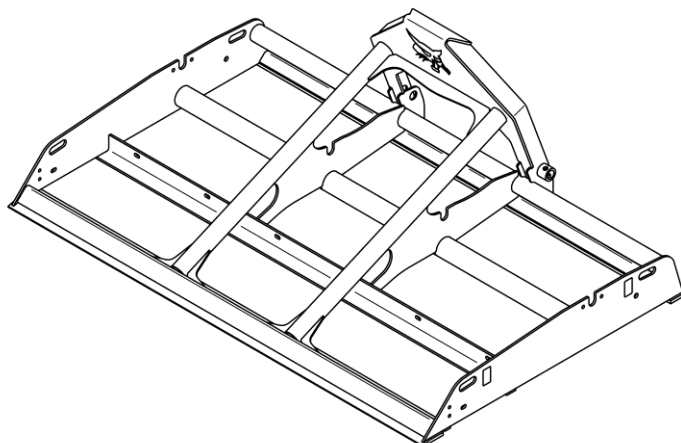
DESTINATION CHARGE

Refer to BobQuote or BobcatNET>>Other Resources>>Pricing Homepage for current Destination and Fuel Charges.

ATTACHMENT	ASSEMBLY REQUIRED	INSTALLATION TIME (HRS.)
Grapple	Install grapple onto bucket	1.5
Grapple/UTV	Install auxiliary relief valves on 3650.....	0.5

LANDPLANE

BOBCAT UTILITY VEHICLE ATTACHMENTS



QUICK SPECS

Overall Width:	62.0 in. (1574 mm)
Overall Length:	40.0 in. (1016 mm)

PART NUMBER	DESCRIPTION	ATTACHMENT	US SLP \$
-------------	-------------	------------	-----------

(3650)			
7274196	LANDPLANE		\$914.00

PART NUMBER	DESCRIPTION	DEALER INSTALLED ACCESSORIES - ORDER FROM SALES
-------------	-------------	---

7275315	SCARIFIER KIT (Adds six scarifiers with maximum depth of 2.8-inches)	\$163.00
7275316	GRATE KIT.....	\$186.00

DESTINATION CHARGE

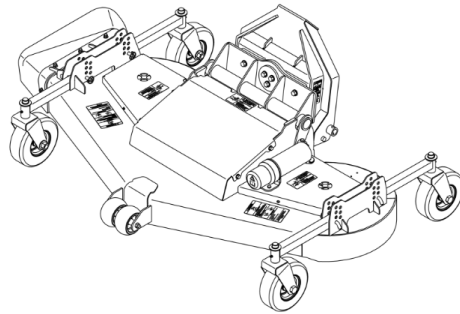
Refer to BobQuote or BobcatNET>>Other Resources>>Pricing Homepage for current Destination and Fuel Charges.

ATTACHMENT	ASSEMBLY REQUIRED	INSTALLATION TIME (HRS.)
------------	-------------------	--------------------------

Scarifier Kit.....	Install scarifier	0.5
Grate Kit	Install grate.....	0.5

MOWER

BOBCAT UTILITY VEHICLE ATTACHMENTS



QUICK SPECS

Cutting Width:	66 in. (1676 mm)
Overall Width:	77 in. (1956 mm)
Overall Length:	51.9 in. (1318 mm)
Cutting Height Range:	2" – 4.5"
Number of Blades:	3
Blade Tip Speed (Ft/Min.):	18,770 FPM
Discharge:	Side
Tractor PTO Speed:	2000 RPM
Weight:	493 lb.
Oscillation	±10°

PART NUMBER	ATTACHMENT DESCRIPTION	SLP IN US \$
(3650) 7211700	MOWER, 66" (Includes anti-scalp wheels and blade rotation indicators)	\$3,686.00

DEALER INSTALLED ACCESSORIES - ORDER FROM PARTS

PART NUMBER	DESCRIPTION
-------------	-------------

For current Dealer Installed Accessories pricing, reference BobQuote or Dealer Parts Department.

7213588	SCREEN DEBRIS KIT – 3650	PARTS	\$ _____
7234193	MOWER MARKER ROD KIT – 3650	PARTS	\$ _____

DESTINATION CHARGE

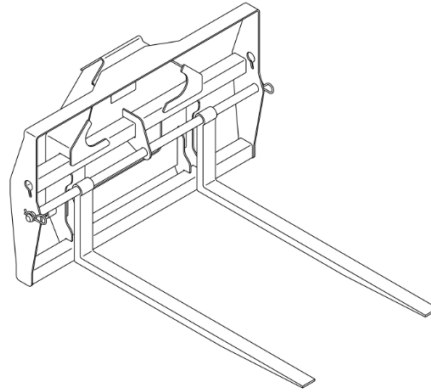
Refer to BobQuote or BobcatNET>>Other Resources>>Pricing Homepage for current Destination and Fuel Charges.

ATTACHMENT	ASSEMBLY REQUIRED	INSTALLATION TIME (HOURS)
Mower	None	-
Screen Debris Kit	Install Screen Debris Kit	0.25
Mower Marker Rod Kit	Install Mower Marker Rod Kit	0.25

Prices and Specifications Subject to Change Without Notice Check BobcatNET Pricing Homepage for current Canadian exchange rate.	Utility Vehicle Attachments All Prices in U.S. Dollars	North American Suggested List Prices 2017 Price Book Page 7 of 14
---	--	---

PALLET FORKS

BOBCAT UTILITY VEHICLE ATTACHMENTS



Pallet Forks - 3650

QUICK SPECS

	<u><i>Pallet Fork Frame and Teeth - 3450</i></u>	<u><i>Pallet Forks - 3650</i></u>
Operating Weight	106 lb.	113 lb.
Overall Width	36.4"	38.0"
Overall Length	42.0"	41.4"
Fork Length	36.2"	36.2"

PART NUMBER	ATTACHMENT DESCRIPTION	SLP IN US \$
(3650) 7204847	PALLET FORKS (Has a ROC of 450 lbs at 18" on the pallet forks) (Includes frame and teeth)	\$1,058.00
(3450, 2300) 7120346	PALLET FORK FRAME AND TEETH	\$1,111.00

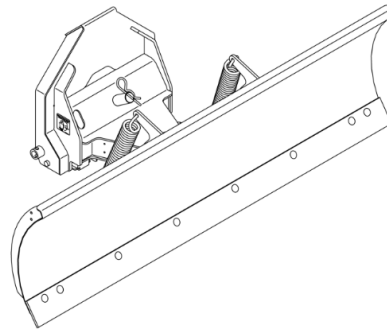
DESTINATION CHARGE

Refer to BobQuote or BobcatNET>>Other Resources>>Pricing Homepage for current Destination and Fuel Charges.

ATTACHMENT	ASSEMBLY REQUIRED INSTALLATION TIME (HRS.)
Pallet Frame and Forks.....	None..... -

SNOW BLADE

BOBCAT UTILITY VEHICLE ATTACHMENTS



Snow Blade, 69"

QUICK SPECS

	<u><i>Snow Blade, 68"</i></u>	<u><i>Snow Blade, 69"</i></u>
Operating Weight:	122 lb.	275 lb.
Length:	21.4"	25.6"
Width:	68"	69"
Height:	-	21.4"
Moldboard Height:	17.8"	20"
Angle:	±30°	±30°
Working Width:	58.9"	59.8"
Steel Cutting Edge:	0.25" x 3"	0.38" x 4"
Optional Rubber Cutting Edge:	0.38" x 3"	1" x 5"
Trip Springs:	2	2
Moldboard Sweep:	-	55°

PART NUMBER	ATTACHMENT DESCRIPTION	SLP IN US \$
(3450, 2300) 7127341	SNOW BLADE, 68" (WITH MANUAL ANGLE)	\$1,515.00
(3650) 7219794	SNOW BLADE, 69" (Includes bolt-on replaceable cutting edge, cylinder shear bolt and storage stand) (Must also order PN: 7025121 Auxiliary Relief Valves to be installed on 3650)	\$2,336.00

SNOW BLADE

BOBCAT UTILITY VEHICLE ATTACHMENTS

DEALER INSTALLED ACCESSORIES - ORDER FROM PARTS

For current Dealer Installed Accessories pricing, reference BobQuote or Dealer Parts Department.

7129850	HYDRAULIC ANGLE KIT – 3450, 2300 PARTS \$ ____ (Needed for 3450 Snow Plow with Hydraulic Angle)
102785401CC	AUXILIARY HYDRAULICS KIT – 3450, 2300 PARTS \$ ____ (Needed for 2300 Snow Plow with Hydraulic Angle)
102930501CC	HYDRAULIC ANGLE KIT – 3450, 2300 PARTS \$ ____ (Must also have factory-installed auxiliary hydraulics p/n 102784402CC or field installed auxiliary hydraulics p/n 102785401CC on machine)
7129852	SIDE BLADE KIT – 3450, 2300 PARTS \$ ____
7131167	RUBBER CUTTING EDGE KIT – 3450, 2300 PARTS \$ ____
7025121	AUXILIARY RELIEF VALVES - 3650 PARTS \$ ____ (Includes two relief valves for solenoid. Required for snow blade, V-blade, angle broom and grapple)
6673609	MARKER ROD KIT – 3650 PARTS \$ ____
7199565	SNOW DEFLECTOR KIT – 3650 PARTS \$ ____
7199967	RUBBER CUTTING EDGE KIT– 3650 PARTS \$ ____
7199970	POLY CUTTING EDGE KIT – 3650 PARTS \$ ____

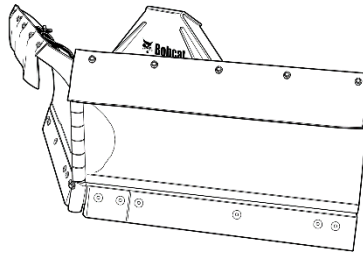
DESTINATION CHARGE

Refer to BobQuote or BobcatNET>>Other Resources>>Pricing Homepage for current Destination and Fuel Charges.

ATTACHMENT	ASSEMBLY REQUIRED	INSTALLATION TIME (HRS.)
Snow Blade, 69” – 3650	Adjust skid shoes & install blade edge indicators	0.25
Snow Blade 69”/UTV	Install auxiliary relief valves on 3650	0.50
Snow Blade, 68” – 3450, 2300	Adjust skid shoes	0.25
Hydraulic Kit – 3450, 2300	Assemble Kit on Blade	0.25
Snow Deflector Kit – 3450, 2300	Assemble Kit on Blade	0.25
Side Blade Kit – 3450, 2300	Assemble Kit on Blade	0.25
Rubber Cutting Edge – 3450, 2300	Assemble Kit on Blade	0.25

SNOW V-BLADE

BOBCAT UTILITY VEHICLE ATTACHMENTS



QUICK SPECS

	<u>VBD-68-UV</u>
Operating Weight	302 lb
Length	20.9"
Width	67.8"
Height	23.8"
Working Width V-Blade	60.6"
Working Width-Scoop Blade	54.6"
Working Width-Straight Blade	67.7"
Working Width-Angled Blade	58.4"

PART NUMBER	ATTACHMENT DESCRIPTION	SLP IN US \$
-------------	------------------------	--------------

(3650)	7305219 SNOW V-BLADE	\$3,254.00
	(UTV must be equipped with an Attachment Control Kit PN 7304151) (Includes bolt-on replaceable cutting edge, cylinder shear bolt) (Must also order PN: 7025121 Auxiliary Relief Valves to be installed on 3650)	

PART NUMBER	DEALER INSTALLED ACCESSORIES - ORDER FROM PARTS DESCRIPTION	
-------------	---	--

7304151	UTV ATTACHMENT CONTROL KIT PARTS	\$ _____
	(Includes joystick and harnesses required to operate snow v-blade)	
7025121	AUXILIARY RELIEF VALVES PARTS	\$ _____
	(Includes two relief valves for solenoid. Required for snow blade, snow v-blade, angle broom and grapple)	
6673609	MARKER ROD KIT..... PARTS	\$ _____

DESTINATION CHARGE

Refer to BobQuote or BobcatNET>>Other Resources>>Pricing Homepage for current Destination and Fuel Charges.

ATTACHMENT	ASSEMBLY REQUIRED	INSTALLATION TIME (HRS.)
------------	-------------------	--------------------------

UTV Attachment Control kit.....Control kit.....	Control kit.....	4.0
Auxiliary Relief Valve	Install auxiliary relief valves on 3650.....	0.5
Marker Rod Kit	Install marker rods on V-Blade	0.25

Prices and Specifications
Subject to Change Without Notice

Utility Vehicle Attachments
All Prices in U.S. Dollars

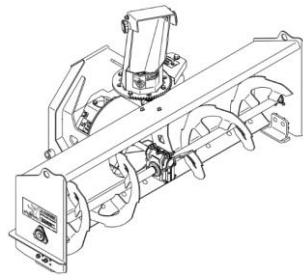
North American Suggested List Prices
2017 Price Book

Check BobcatNET Pricing Homepage for current Canadian exchange rate.

Page 11 of 14

SNOWBLOWER

BOBCAT UTILITY VEHICLE ATTACHMENTS



QUICK SPECS

<i>FCTSB62</i>	
Cutting Width:	62"
Overall Width:	64.4"
Cutting Height (blower on ground):	21"
Auger Diameter:	12"
Fan Diameter:	14"
Chute Rotation (Hydraulic):	227°
Deflector Adjustment (Manual):	90°
Weight:	404 lb.
Drive:	Mid-PTO
Drive Line Protection:	Shear Bolt
Cutting Edge Design:	Reversible/Replaceable
Cutting Edge Dimensions:	.25" x 4.5" Steel
Skid Shoes:	Adjustable/Replaceable 3/8" Steel
Blower Design:	Two Stage

PART NUMBER	ATTACHMENT DESCRIPTION	SLP IN US \$
-------------	------------------------	--------------

(3650) 7273713	SNOWBLOWER, 62" (Includes PTO – Category 1 Driveline, shear bolt drive protection, adjustable and replaceable skid shoes and reversible/replaceable bolt-on cutting edge)	\$5,080.00
-------------------	---	-------------------

PART NUMBER	DEALER INSTALLED ACCESSORIES - ORDER FROM PARTS DESCRIPTION
-------------	---

For current Dealer Installed Accessories pricing, reference BobQuote or Dealer Parts Department.

6673609	MARKER ROD KIT.....	PARTS \$_____
---------	---------------------	---------------

DESTINATION CHARGE

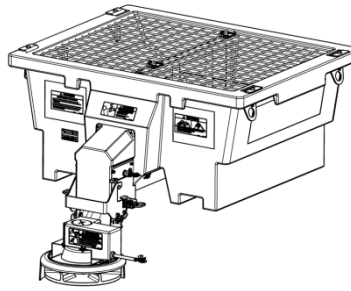
Refer to BobQuote or BobcatNET>>Other Resources>>Pricing Homepage for current Destination and Fuel Charges.

ATTACHMENT	ASSEMBLY REQUIRED INSTALLATION TIME (HRS.)
------------	--

Snowblower	None..... -
Marker Rod Kit	Install marker rods on Snowblower..... 0.25

SPREADER

BOBCAT UTILITY VEHICLE ATTACHMENTS



QUICK SPECS

<u><i>SPDR-7-UV</i></u>	
Weight (hopper empty):	200 lb.
Hopper Height:	23.0"
Width:	51.2"
Hopper Capacity – Struck:	(7.8 ft ³) 0.3 yd ³
Hopper Capacity – Heaped:	(10.6 ft ³) 0.4 yd ³
Power Supply:	12 Volt
Spreading Pattern:	5 to 38 feet
Speed Control:	Variable Speed Control Dial

PART NUMBER	ATTACHMENT DESCRIPTION	SLP IN US \$
-------------	------------------------	--------------

	(3400 DIESEL (MY15 AND HIGHER), 3600 (MY15 AND HIGHER), 3650 (MY15 AND HIGHER))	
7257476	UTV SPREADER (Includes controller, wire harness, vibrator and all necessary mounting hardware) (It is recommended that the rear light and side mirror kits are installed on the carrier)	\$3,901.00

PART NUMBER	DEALER INSTALLED ACCESSORIES – ORDER FROM PARTS DESCRIPTION	SLP IN US \$
-------------	---	--------------

	(3400 DIESEL (MY15 AND HIGHER), 3600 (MY15 AND HIGHER), 3650 (MY15 AND HIGHER))	
7253128	REAR SPREADER LIGHT (Includes taillight assemblies that mount to spreader) (Estimates install time 0.15 hour)	\$ _____
	(3400 DIESEL (MY15 AND HIGHER), 3600 (MY15 AND HIGHER), 3650 (MY15 AND HIGHER))	
7204856	SIDE VIEW MIRRORS (Includes 2 external mirrors & mounting hardware to cab) (Estimates install time 0.5 hour)	\$ _____

DESTINATION CHARGE

Refer to BobQuote or BobcatNET>>Other Resources>>Pricing Homepage for current Destination and Fuel Charges.

ATTACHMENT	ASSEMBLY REQUIRED	INSTALLATION TIME (HRS.)
------------	-------------------	--------------------------

Spreader	Secure hopper to utility vehicle, install wire harness	1.5
Rear Spreader Light.....	Install wiring harness.....	0.15
Mirror Kit, Side.....	Install mirrors.....	0.5

SPRAYER
BOBCAT UTILITY VEHICLE ATTACHMENTS

**Bobcat is no longer selling sprayers. Dealers may purchase sprayers directly from Demco at:
Jerry Sandbulte**

Ag Product Coordinator - Maurer
L&G & Fertilizer Product Coordinator - Demco
800-543-3626 – Ext 125 Demco
888-274-6010 – Ext 811 Maurer